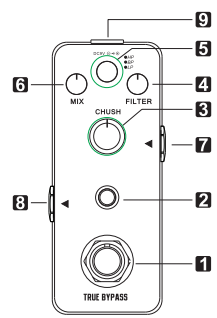


数字降采样单块 说明书

感谢您使用本公司产品，在使用本产品之前请仔细阅读本说明书

操作说明

- 
- 直通脚踏开关**
单踩：效果声与原声切换
双踩：固定模式与正常模式切换
长踩：储存当前参数
 - LED指示灯**
绿灯亮：正常模式，可以使用旋钮等调节效果参数
红灯亮：固定模式，效果调用预先参数，旋钮等无效
灯熄灭：原声输出
 - CRUSH旋钮**
调节效果的采样率降低强度；
 - FILTER旋钮**
调节效果的采样精度降低强度；
 - 模式选择开关**
模式：HP/Normal/LP；
 - MIX旋钮**
调节原声与效果声的比例；
 - 输入**
1/4"单声道音频接口，信号输入；
 - 输出**
1/4"单声道音频接口，信号输出；
 - 电源接口**
9V直流电源(外正内负 ⊕ ⊖)；

产品特点

- ◆ 采用32位浮点DSP芯片，44.1KHz /24位采样
- ◆ 三种模式：HP/Normal/LP
- ◆ 2种工作模式：正常模式与固定模式，可储存一组参数

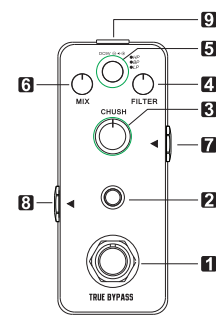
技术参数

- ◆ 输入：1/4"单声道音接口(阻抗:470k Ohms)
- ◆ 输出：1/4"单声道音接口(阻抗:100 Ohms)
- ◆ 电源供给：9V直流电流(外正内负 ⊕ ⊖)
- ◆ 工作电流：100mA
- ◆ 尺寸：95(L)*45(W)*48(H)mm
- ◆ 重量：273克(带包装)

Crush bit pedal Manual

Thanks for purchasing our products, before operating this product, please read the enclosed operating instructions.

Operating Instructions

- 
- True BYPASS Footswitch**
Press once: Switch between original sound and effect sound
Press twice: Switch between fixed mode and normal mode
Longtime Press : Store the current parameters.
 - LED indicator light**
Green light: Normal mode, can use knob to adjust parameters
Red light: Fixed mode,effector use the fixed parameter, knob can't be use
Go out: Original sound
 - CRUSH Knob**
Adjust the CRUSH.
 - FILTER Knob**
Adjusts the reduced of effect.
 - Mode Switch**
Models:HP/Normal/LP.
 - MIX Knob**
Adjusting the mixing ratio of original sound and effect sound..
 - Input Jack**
1/4"mono audio jack,inputs the signal.
 - Output Jack**
1/4"mono audio jack,outputs the signal.
 - DC IN Power Jack**
DC 9V regulated AC adapter (Plug polarity is Positive on the barrel and negative in the center ⊕ ⊖)

Product features

- ◆ DSP: 32 bit floating point, Sampling: 44.1kHz/ 24bit.
- ◆ 3 models: HP/Normal/LP
- ◆ 2 Models (Normal mode and fixed mode), can store a set of parameters.

Specifications

- ◆ Input: 1/4" Monaural Jack (Impedance: 470K Ohms)
- ◆ Output: 1/4" Monaural Jack (Impedance: 100 Ohms)
- ◆ Power Supply: DC 9V (Plug polarity is Positive on the barrel and negative in the center ⊕ ⊖)
- ◆ Working Current: 100mA
- ◆ Dimensions: 95(D)*45(W)*48(H)mm
- ◆ Weight: 273g(With box)

尺寸：170*120 mm
正反面，边框线不要印