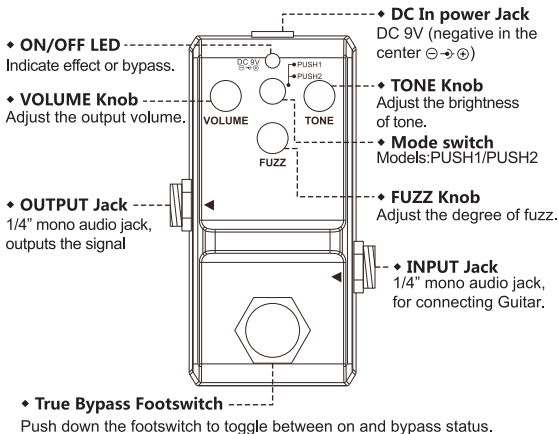


FRENZY Manual

Classic fuzz box for both guitarists and bassists

Operating Instructions



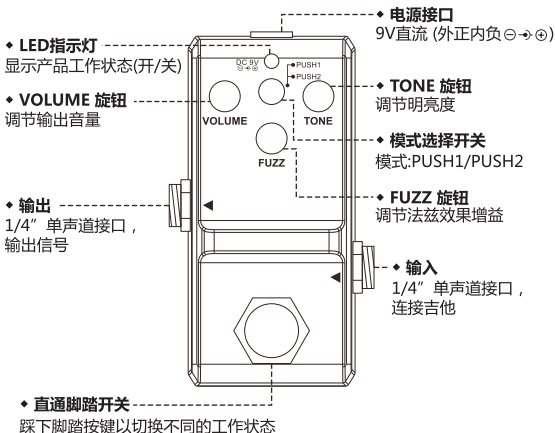
Specifications

- ◆ Working Current: 6mA
- ◆ Dimensions: 75(d)*36(w)*26(h) mm
- ◆ Weight: 133g

FRENZY 说明书

经典法兹单块

操作说明



规格参数

- ◆ 工作电流: 6mA
- ◆ 尺寸: 75(d)*36(w)*26(h) mm
- ◆ 重量: 133克